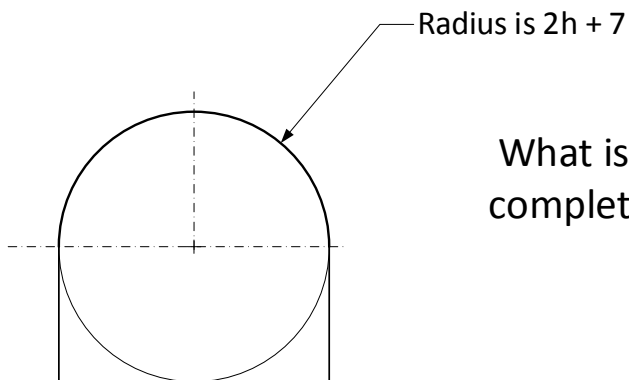
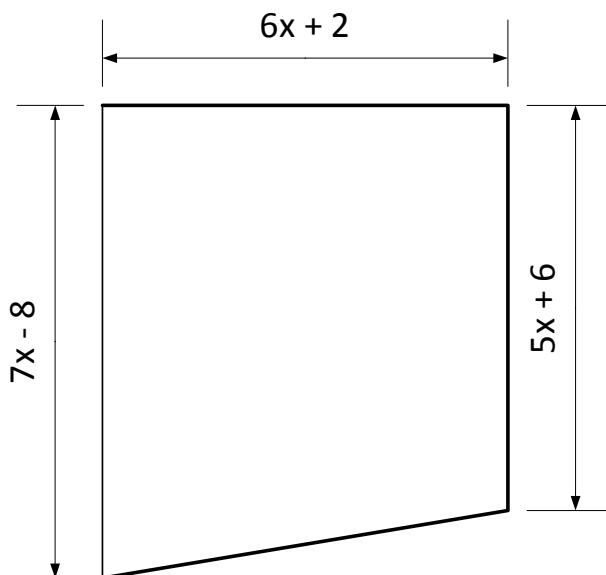


The area of the square is 100cm^2 .
Find the value of x .

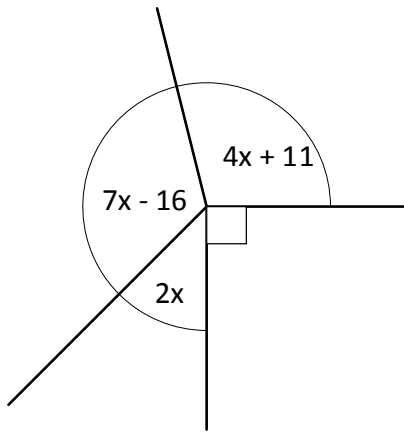


What is the area of this complete shape if $h = 8$?

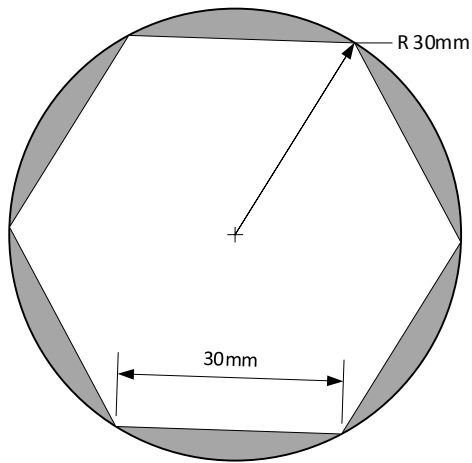


The area of this trapezium is 150 cm^2 .
What is the value of x ?

Find the value of x .



Below, a regular hexagon is circumscribed by a circle. Calculate the value of the shaded area of the circle.



Find an expression for the shaded part of the circle below:

