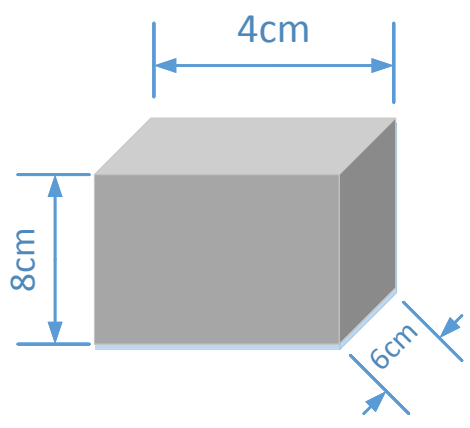


Name: \_\_\_\_\_ Class: \_\_\_\_\_ Maths Group: \_\_\_\_\_

Six a day



Work out the surface area of this cuboid.

If  $k$  is an integer, put these numbers into order starting with the smallest.

$3k+1$   $(7k)/2$   $3k-2$   $k/2$   $k+3$

Change 0.0382 into a fraction in its simplest form.

Increase £5.70 by 35% and give your answer to the nearest penny.

On the first day of the Battle of the Somme, the British suffered 59,982 casualties, of which 19,831 soldiers were killed. What percentage of the soldiers were killed out of the total number of casualties?

May 38						
Mo	Tu	We	Th	Fr	Sa	Su
					1	2
3	4	5	6	7	8	9
10	11	12	13	14	15	16
17	18	19	20	21	22	23
24	25	26	27	28	29	30
						31

Above is a calendar for the month of May 2038. On what day of the week will the 12th March 2038 fall?